

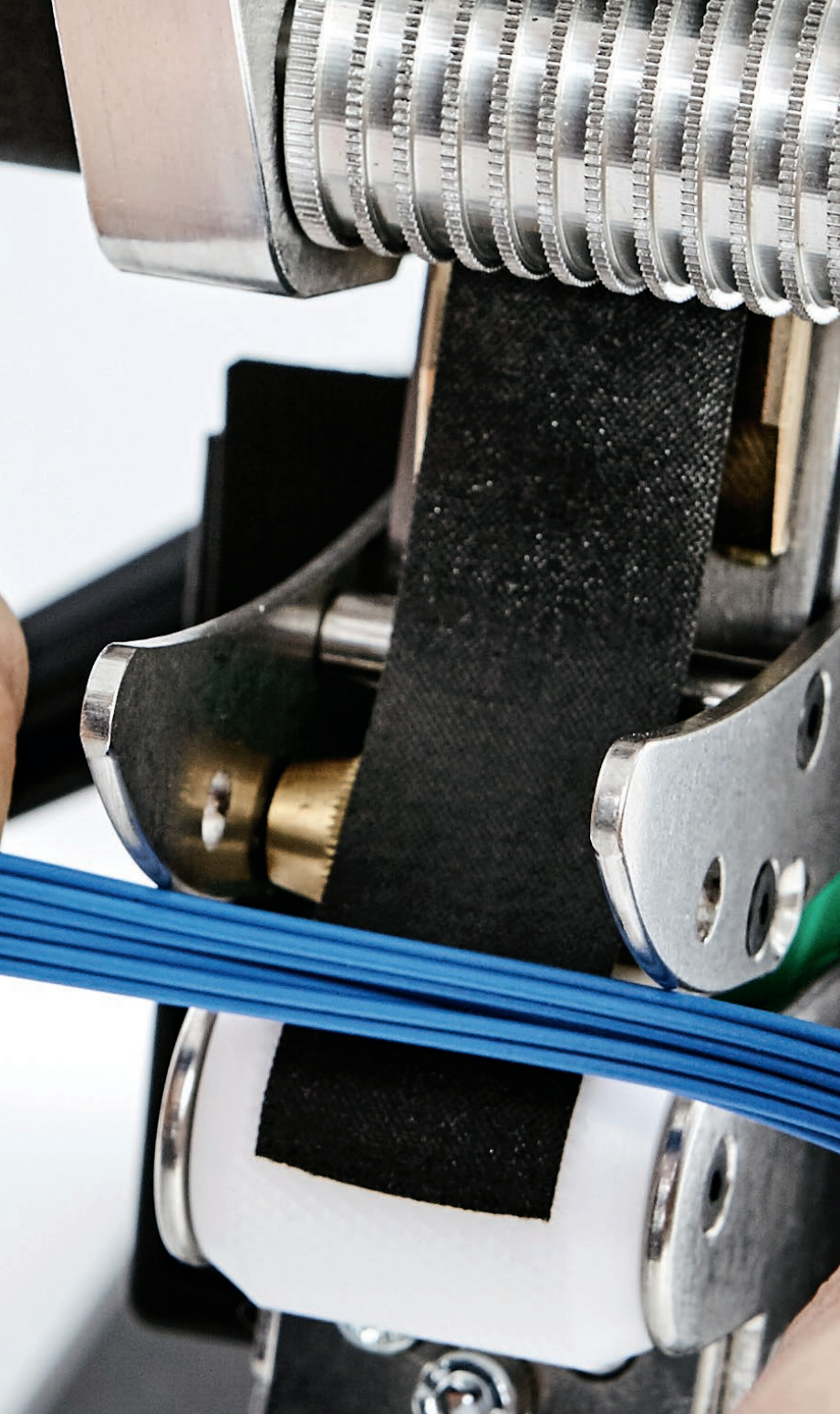


KTB P SERIES

Spot Taping Machines

KABATEC

A KOMAX COMPANY



KTB P SERIES

The perfected classic

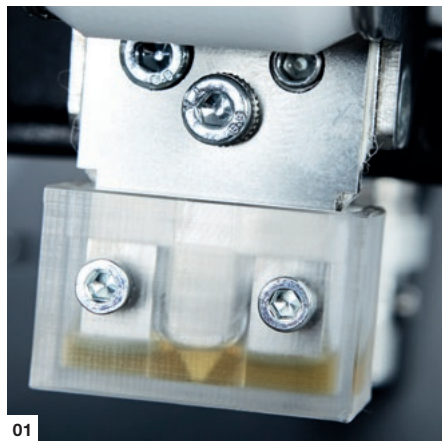
Compact design, high level of vertical integration and low maintenance: The KTB P pneumatic spot taping machine combines numerous customer benefits in one single device. And has been doing for over 25 years: The KTB P is a tried-and-tested, high-quality machine that KABATEC is continually enhancing and developing to perfection. It delivers maximum performance without requiring electricity: This spot taping machine is powered with compressed air, ideal for spot-taping wire harnesses as well as taping and marking wires. Four different models are available depending on the width of tape used:

- KTB 19 P (ideal for taping and spot taping wire harnesses)
- KTB 38 P (ideal for insulating splices)
- KTB 50 P (ideal for insulating splices)
- KTB 40/30 P (special-purpose machine for large wire diameters of up to 35 millimeters)

Faster production – lower costs

The KTB P not only saves 50 percent production time compared to manual production, it also generates enormous material cost savings – costs up to 80 percent less than for heat-shrink tubing. The tape length can be freely adjusted to the wire diameter using adjustable sleeves. Another advantage is the tape pre-feed included as standard. This helps to process tapes with high pull-off forces.

Always perfectly oiled: An oil reservoir is attached to the lower blade to supply the correct amount of oil to the blade using a felt and at the same time clean residues of adhesive off the blade. It also reduces the wear on this high-quality blade.



01

01
The oil level can be checked easily on the oil reservoir. It is quick and easy to refill.



02

02
The tape length can be easily adjusted via the adjustment sleeve to suit requirements.



03

03
The KTB 40/30 P is the ideal solution for large wire diameters and for insulating intermediate nodes (such as battery wires).

No power connection required

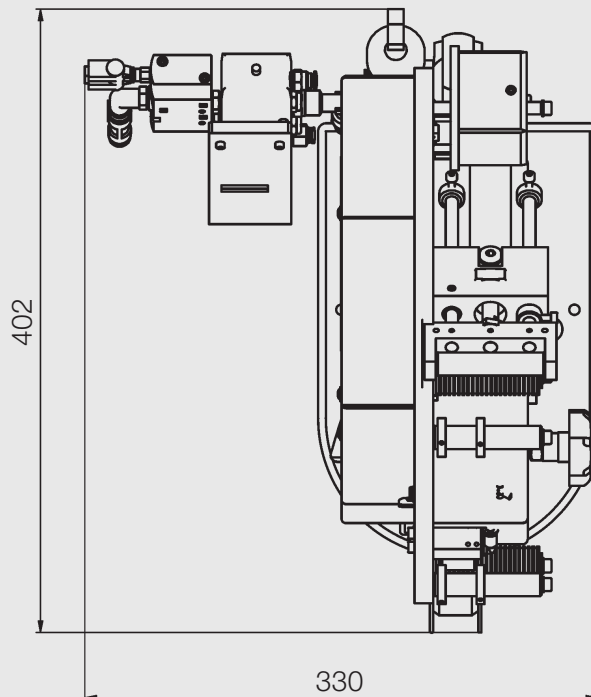
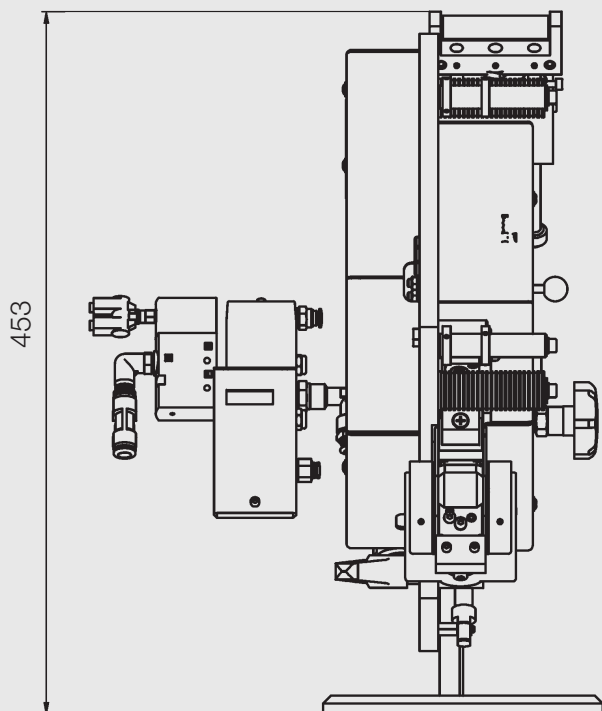
- Fully pneumatic operation.
- Compressed-air connection is located directly on the device.
- Compact machine which can be quickly integrated into every production line.

Attractive price-performance ratio

- The perfect entry-level machine for automated spot taping.
- Reduced operator input ensures high-quality of spot taping.
- 50 percent faster production time compared to spot taping by hand.
- 80 percent material savings compared to heat-shrink tubing.

Less maintenance

- KTB P is fitted with a self-oiling blade.
- Low-maintenance design. All maintenance activities can be carried out by operators with limited technical knowledge.
- Tried-and-tested technology and high level of vertical integration guarantee superior quality.

**Technical data – The KTB P series**

Application	Spot taping, taping and marking of wire harnesses Insulating, spot taping, fixing and marking of wire harnesses	
Tape and wire harness data		
Wire harness diameter	KTB 19 P	3 – 16 mm
	KTB 38 P	3 – 16 mm
	KTB 50 P	3 – 16 mm
	KTB 40/30 P	15 – 35 mm
Adhesive tape materials	A range of automotive and industrial tapes	
Tape width	KTB 19 P	9 – 19 mm
	KTB 38 P	19 – 38 mm
	KTB 50 P	38 – 50 mm
	KTB 40/30 P	19 – 30 mm
Tape roll core diameter (standard)	1.5" and 3"	
Maximum tape roll outer diameter	Max. 160 mm	
Machine data		
Operating pressure	6 bar (0.6 MPa / 87 psi)	
Dimensions (H/W/D)	453 × 330 × 402 mm	
Weight	15 kg	

KABATEC GMBH & CO. KG

Taping and spot taping technology «made in Germany»

The highest quality standards and innovative products are what make KABATEC the global market leader for taping and spot taping equipment. Based in Burghaun in Hesse, Germany, the company manufactures fully and semi-automatic machines for dispensing and applying adhesive and non-adhesive tapes. KABATEC creates tailor-made integrated solutions for processing all types of cables and wires for its customers – particularly those in the automotive industry.

Its core business is the development and production of taping and spot taping machines, as well as special customized systems which it designs and manufactures in close cooperation with the customer. Innovations, in-depth experience and good intuition regarding global market requirements guarantee outstanding product quality and performance.

Founded in 2008, KABATEC secured the top position worldwide within a very short time. KABATEC consolidated its market position further with the integration of Ondal Tape Processing GmbH. Today, the company has a total of more than 40 years of experience in tape processing. Since 2016, KABATEC has been part of Komax Holding AG, a Swiss Group with development and manufacturing facilities on several continents. As a member of the Komax Group, KABATEC has at its disposal the highly effective global sales and service network which provides local support to Komax customers in more than 60 countries.

40
YEARS
CUTTING
EDGE



Komax's market segments

Komax offers outstanding expertise and solutions for various fields of application. Based on customer requirements, they create the desired added value for the overall process and optimize operating efficiency. Komax's main markets are: Automotive, aerospace, industrial, telecom & datacom. Thanks to this breadth of experience, customers are provided with expert knowledge for process optimization and access to the very latest technology.

KABATEC GmbH & Co. KG
Am Grubener Weg 15
36151 Burghaun, Germany
Phone +49 6652 79362-0
www.KABATEC.com
info.bgh@KABATEC.com

KABATEC

A KOMAX COMPANY

Subject to change without notice.